

ENZO



PRODUCT FEATURES

ENZO is a natural ventilation system in the shape of a labyrinth entirely made in aluminium. It guarantees water resistance even in rainy weather. It is suitable for places where there is intense heat and high levels of noise. Two models are available: ENZO FLAT and ENZO 45.





enzo

TYPICAL APPLICATIONS

Versatile scope of applications on roofs and facades, with an installation angle range from 5° to 90°. Dedicated to air intake, air rejection of single flow mechanical ventilation ducts, double flow or mechanical smoke removal.

The angle of the roof influences the choice of configuration:

// roof angle < 45° the installation needs water drainage: ENZO 45

// roof angle > 45° the installation does not need water drainage: ENZO FLAT

MATERIALS

Aluminium; tempered, sea water and corrosion-resistant AlMg3. Free of silicones.

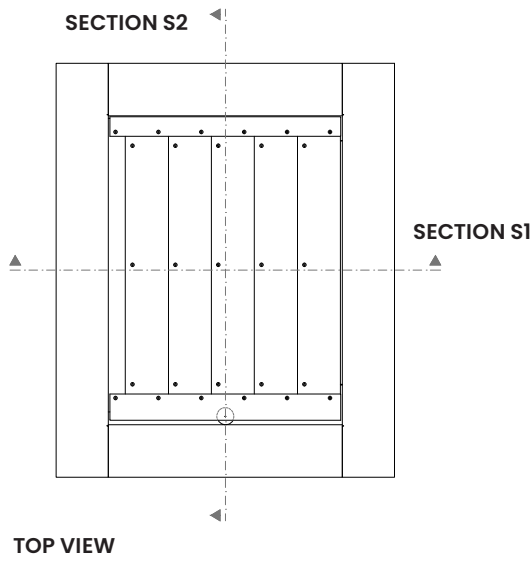
DIMENSIONS

Width W: 375 - 2500 mm

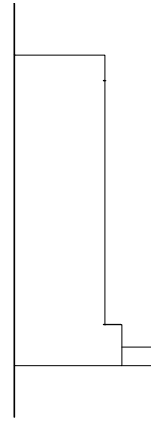
Length L: 500 - 3000 mm

OPTIONS

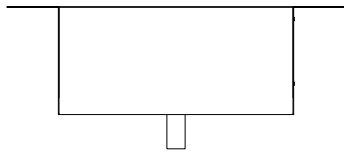
Custom dimensions / Powder-coated design (any RAL colour) / Bird or insect mesh



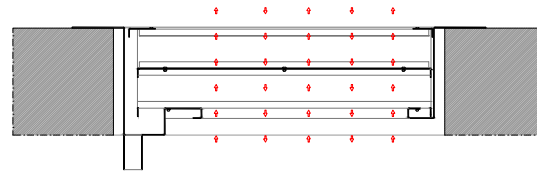
TOP VIEW



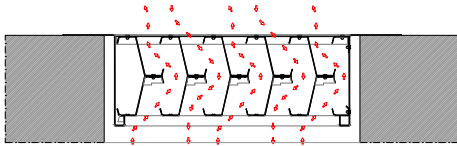
SIDE VIEW



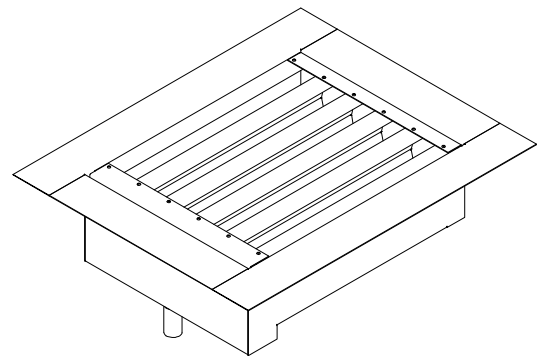
FRONT VIEW



SECTION S2



SECTION S1



ENZO PERSPECTIVE VIEW

