

EASY-KAP (MP)

SMS

SMOKE MANAGEMENT SYSTEMS



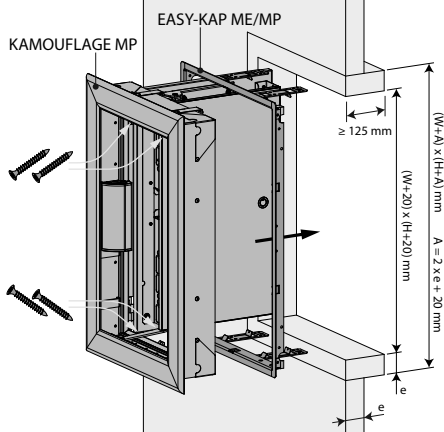
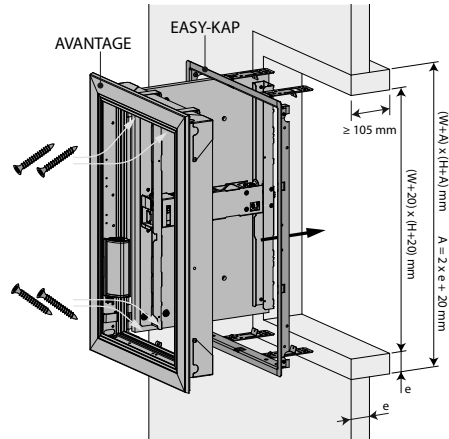
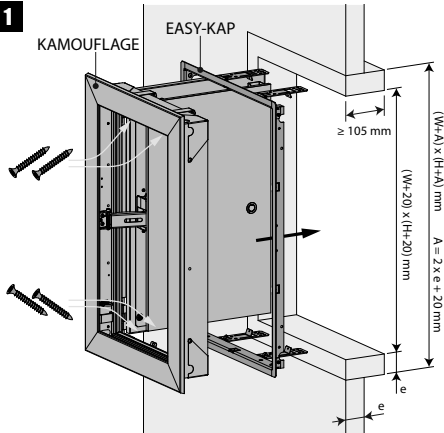
Mounting frame for smoke evacuation shutter



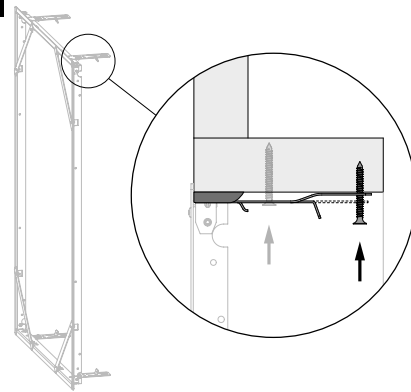
en

A

1

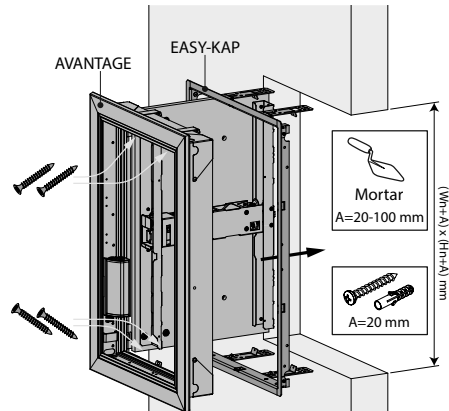
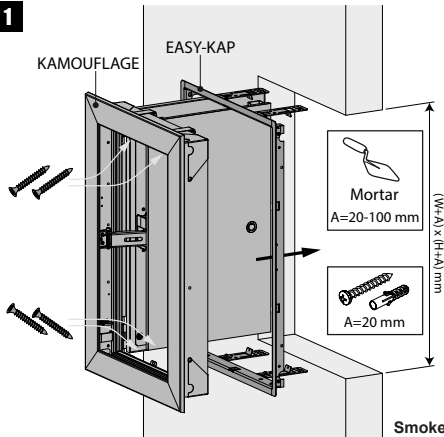


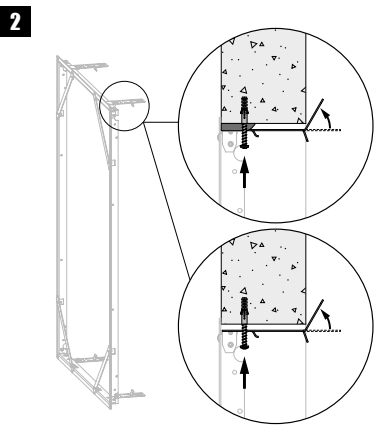
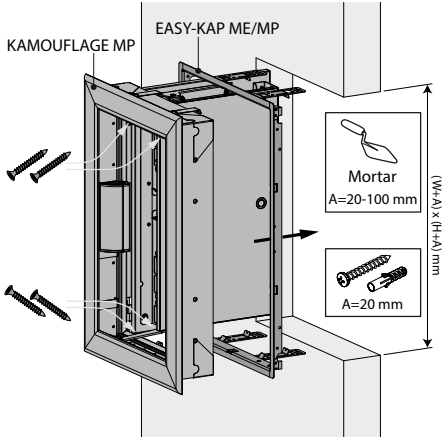
2



B

1





C

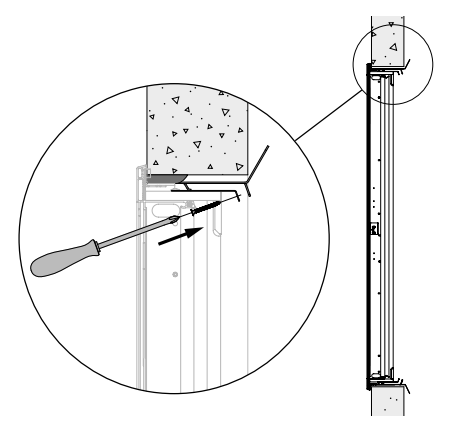
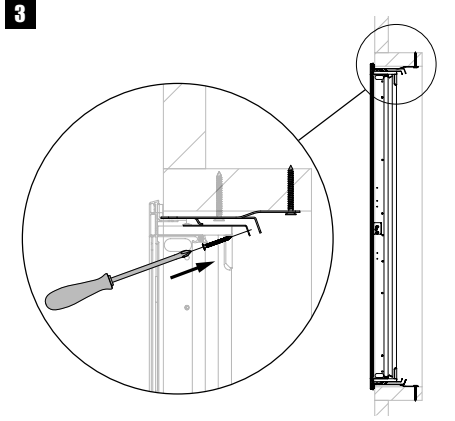
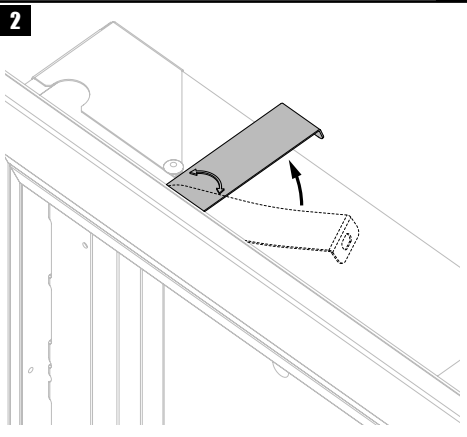
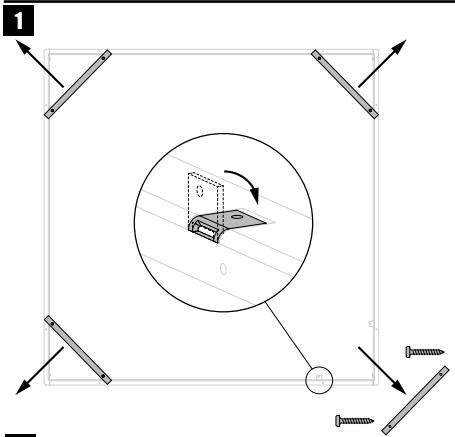


Table of content

Table of content

Images	2
Installation	4
Installation of the built-in mounting frame into vertical shaft	4
Installation of the built-in mounting frame into vertical concrete shaft	4
Installation of the shutter in the built-in mounting frame	5

Installation

Installation of the built-in mounting frame into vertical shaft exc. concrete (Images A)

1. Make an opening with dimensions $(W+A) \times (H+A)$ mm. $A = 2 \times$ thickness sleeve (e) + 20 mm.

Fit a sleeve of the same type and thickness of the duct (thickness e) of minimum 105mm deep for KAM, AVA (ME) and 125mm deep for KAM MP in the opening.

See details per type of shaft in the product's installation guidelines.

2. Fasten and seal the mounting frame (see details per shaft type in the product's installation guidelines).

Two fastening plates are provided at the bottom and at the top of the mounting frame: fold these against the sleeve.

In case of fixing by screws, fasten the mounting frame to the sleeve with chipboard screws (6 x e) mm. These screws can be fixed in one of the openings provided for this purpose, depending on the depth of the sleeve.

Take care not to misshape the frame during its installation. The finished opening must be the same size as the mounting frame $(W+10) \times (H+10)$ mm.

Installation of the built-in mounting frame into vertical concrete shaft (Images B)

1. In case of screwing of the mounting frame:
Make an opening with dimensions $(W+20) \times (H+20)$ mm.

In case of sealing the mounting frame:
Make an opening with dimensions $(W+20) \times (H+20)$ till $(W+100) \times (H+100)$ mm.

2. The mounting frame should always be fastened to the concrete shaft with screws and dowels ($\varnothing 6$ x minimum 60 mm, steel or stainless steel).

For an opening with dimensions up to $(W+20) \times (H+20)$ mm:

Two sealing lugs are provided at the bottom and at the top of the mounting frame: fold these against the shaft and fasten the mounting frame to the lining with 4 screws $\varnothing 6 \times 60$ mm, taking care not to misshape it. These screws can be inserted through any of the punched holes in the lugs, depending on the thickness of the shaft wall. The finished opening must be the same size as the mounting frame $(W+10) \times (H+10)$ mm.

For an opening with dimensions up to $(W+100) \times (H+100)$ mm:

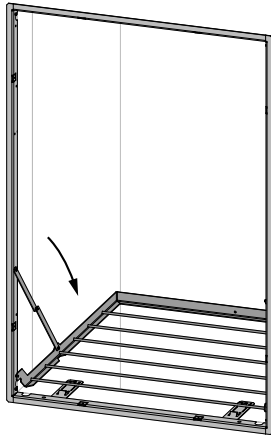
Apply mortar around the opening to reduce the opening to the outer dimensions of the frame, then proceed as mentioned above to fasten the frame to the opening. Make sure that the gap between the frame and the opening is sealed completely with mortar.

The mortar must harden completely before the damper is fastened to the mounting frame.

Installation of the shutter in the built-in mounting frame (Images C)

1. Set aside the screws that are affixed to one of the cross slats, then unscrew the 4 cross slats of the mounting frame and fold the 8 plates in the frame.

In the case of the EASY-KGC (MP) mounting frame, unfold the drop-guard grid (90°) in the shaft.



2. Rotate the four fastening plates on the damper 90° (to the upright position).

3. Open and position the shutter in the mounting frame. If VM magnet: remove the key from the lock to open the shutter.

Fasten the shutter onto the mounting frame with the 4 screws supplied with the mounting frame, as shown in the drawing. Tightening the screws pulls the shutter towards the wall until its final position. It also makes it possible to slightly correct the angle of the shutter with respect to the mounting frame.

Connect the mechanism according to the wiring diagram.

Check the mobility of the shutter.

Product installation guidelines:

Kamouflage MP



Kamouflage



Avantage



Avantage DP



Kamouflage DP



Installation
