

PRODUCT FEATURES

VENTRA F is a multi louvred ventilator that provides an economic, nonpowered method of ventilation, allowing the removal of large quantities of warm air and / or smoke from a building within a short period of time. The Ventra F is suitable for air feed (facade), air extraction (facade) and natural lighting. The vents are manufactured according to ISO 9001 quality control standards. The vents are formed from high quality corrosion resistant aluminium, to ensure low maintenance requirements and watertightness. Various methods of operation using pneumatic or electric actuators are available. The ventilator design produces a versatile economic unit suitable for a wide range of applications. Available on large dimensions, up to 2400 x 3804 mm (width x length).



Ventraq-f



TYPICAL APPLICATIONS

Versatile scope of applications on facades, with an installation angle close to 90°. Installations: Industrial buildings, warehouses, logistics centres, shopping centres, atria, etc..

MATERIALS

Aluminium; tempered, sea water and corrosion-resistant AlMg3 and extruded aluminium profiles for the frames. Corrosion-resistant bearings. The aluminium is supplied untreated as standard. Free of silicones.

DIMENSIONS

Facade opening width **W**: 300 - 2400 mm
Facade opening length **L**: 761 - 3804 mm (17 louvres, max.)

OPENING ANGLE

Individual adjustable from 0° up to 90°

CONTROLS NATURAL VENTILATION

P - Single pipe compressed operation
P2 - Double pipe compressed air operation
M230V Electric motor

CONTROLS FIRE VENTILATION

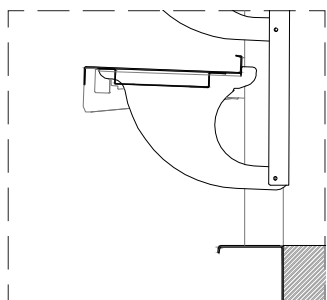
PF - Single pipe compressed air operation with fire function
P2F - Double pipe compressed air operation with fire function
M24V Electric motor

LOUVRES

- AL** Single aluminium
- AL ISO** Double insulated aluminium
- PC16** Polycarbonate 16mm, clear or opal
- PC25** Polycarbonate 25mm, clear or opal
- GLASS** Single or double glass

BASES

- Single aluminium
- Double insulated aluminium

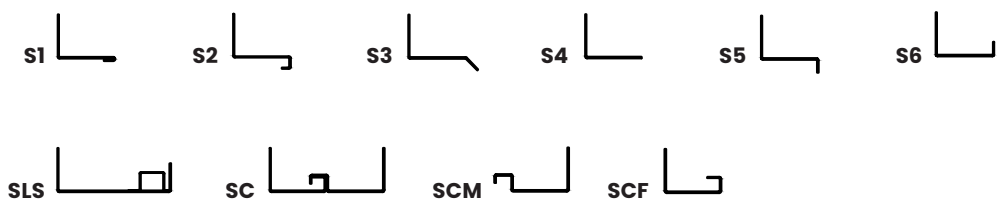


DETAIL 01
single aluminium

FLANGES

- S1** Flange for single glass
- S2** Flange for double glass
- S3** Flange for roofs, 45° bended
- S4** Flange for roofs and facades
- S5** Flange for upstand, 90° bended downwards
- S6** Flange 90° bended upwards
- SLS** Flange for skylight connection, for different polycarbonate thicknesses
- SC** Flange for connection with other flange (vents connection). Male or female connection.
- SCM** Flange for male connection
- SCF** Flange for female connection

* Custom fanges design and insulated flanges available upon request



WEIGHT

Depends on dimensions and type of infill

OPTIONS

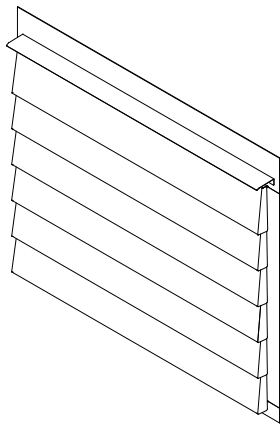
Custom dimensions / Powder-coated design (any RAL colour)
/ Bird or insect mesh

REGULATIONS

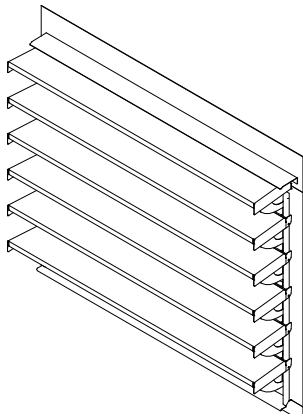
The system has been tested and is certified in accordance with EN 12101-2

DIMENSIONS/ LOUVRES TABLE

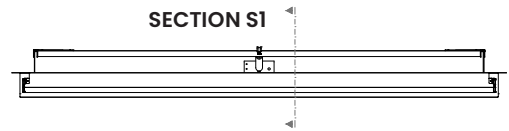
| NUMBER OF LOUVRES | 3 | 4 | 5 | 6 | 7 | 8 | 9 | 10 | 11 | 12 | 13 | 14 | 15 | 16 | 17 |
|-------------------|-------------|-----|------|------|------|------|------|------|------|------|------|------|------|------|------|
| | LENGTH (MM) | | | | | | | | | | | | | | |
| WIDTH (MM) | | | | | | | | | | | | | | | |
| 300 | | | | | | | | | | | | | | | |
| 600 | | | | | | | | | | | | | | | |
| 1000 | | | | | | | | | | | | | | | |
| ... | 761 | 944 | 1164 | 1384 | 1604 | 2044 | 2066 | 2264 | 2484 | 2704 | 2924 | 3144 | 3364 | 3584 | 3804 |
| 1800 | | | | | | | | | | | | | | | |
| 2000 | | | | | | | | | | | | | | | |
| 2400 | | | | | | | | | | | | | | | |



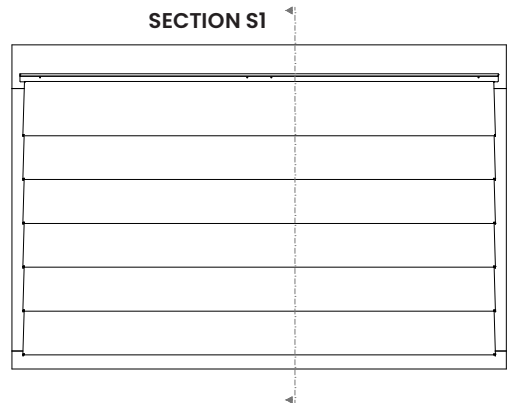
PERSPECTIVE VIEW CLOSED



PERSPECTIVE VIEW OPEN

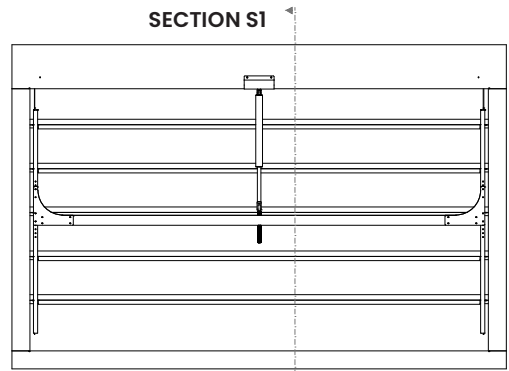


SECTION S1



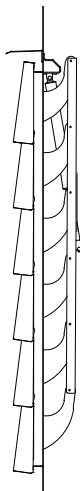
SECTION S1

FRONT VIEW CLOSED

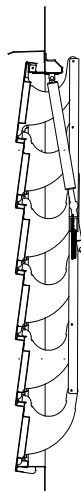


SECTION S1

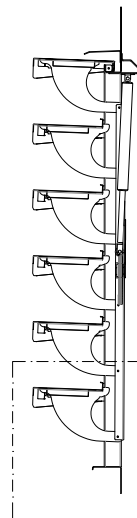
BACK VIEW CLOSED



SIDE VIEW CLOSED

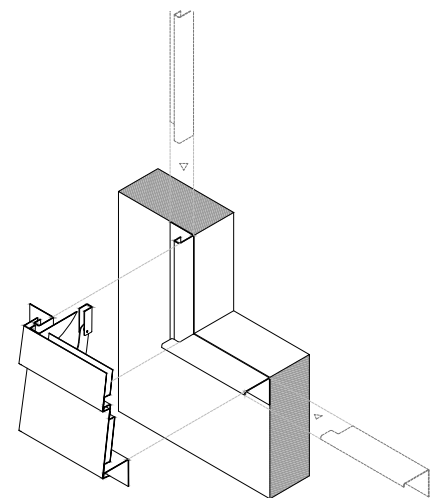


SECTION S1 CLOSED



DETAIL 01

SECTION S1 OPEN



BASE ASSEMBLY PERSPECTIVE