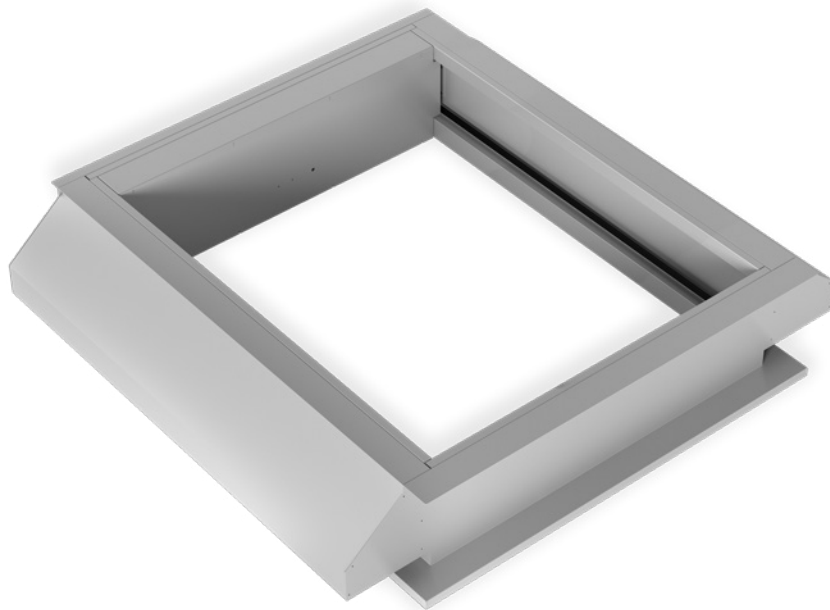
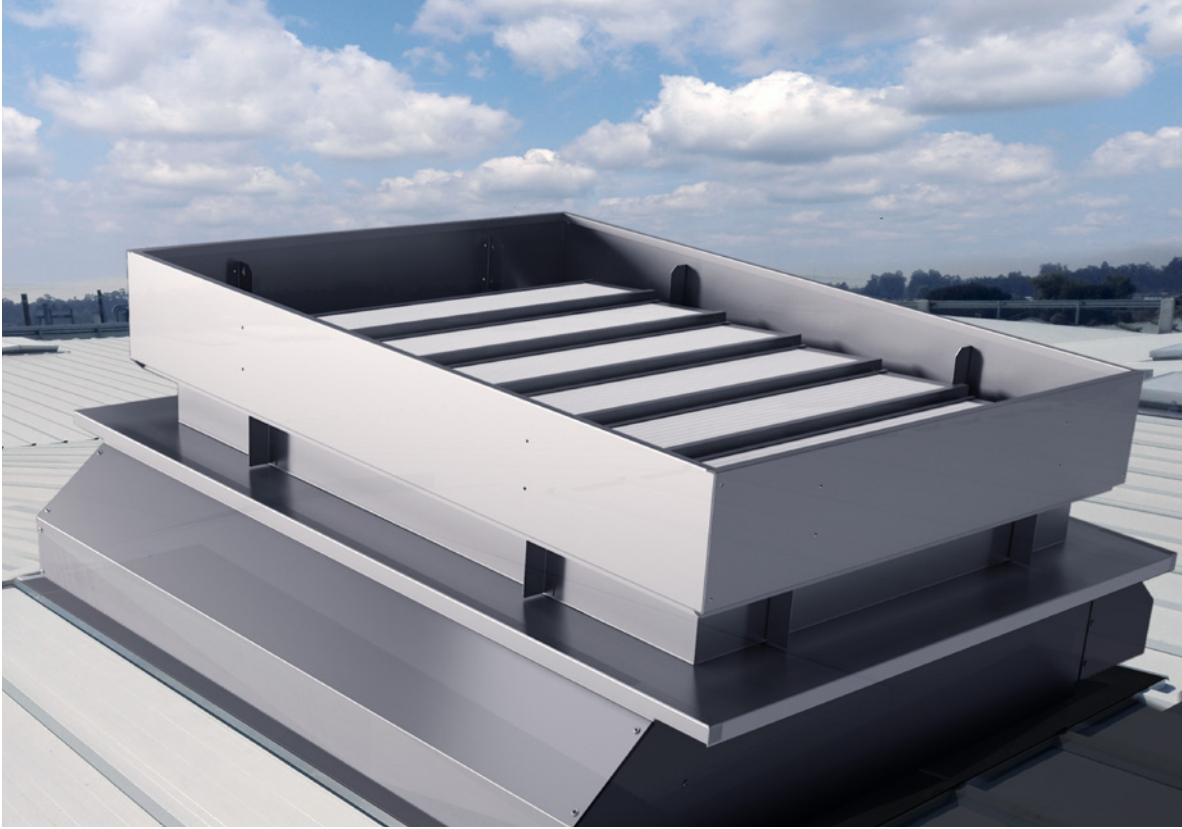


## PRODUCT FEATURES

KALON is an environmental ventilation upstand designed to be installed below any smoke and heat ventilation unit or any skylight. It enables the environmental ventilation to continue to operate in any weather. It is equipped with lateral inner flaps to enable weather-protected ventilation. Inner flaps are controlled by an independent system. Various methods of operation using pneumatic or electric actuators are available. The KALON can be combined with all louvres, flaps and windows ventilators and skylights, such as, Delta, Monodelta, Ventra, Trilux. Wide range of sizes and heights available giving a choice of ventilation areas.





# Kaljon

## TYPICAL APPLICATIONS

Designed to be installed below any smoke and heat ventilation unit or skylights

## MATERIALS

Aluminium; tempered, sea water and corrosion-resistant AlMg3. The aluminium is supplied untreated as standard. Free of silicones.

## DIMENSIONS

Any size required is made to measure depending on the dimensions of the upstand or top ventilator.

## CONTROLS NATURAL VENTILATION

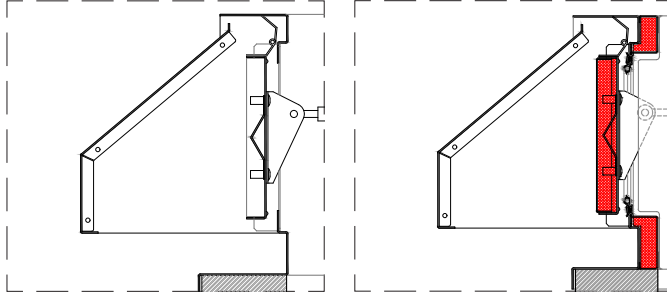
P2 - Double pipe compressed air operation  
M24V Electric motor  
M230V Electric motor

## BLADES

AL Single aluminium  
AL ISO Double insulated aluminium (20 and 50mm)

## BASES

Single aluminium  
 Double insulated aluminium  
 Bases Height: 300 mm



**DETAIL 01**  
 single aluminium

**DETAIL 02**  
 double insulated aluminium

## FLANGES

- S1** Flange for single glass
- S2** Flange for double glass
- S3** Flange for roofs, 45° bended
- S4** Flange for roofs and facades
- S5** Flange for upstand, 90° bended downwards
- S6** Flange 90° bended upwards
- SLS** Flange for skylight connection, for different polycarbonate thicknesses
- SC** Flange for connection with other flange (vents connection). Male or female connection.
- SCM** Flange for male connection
- SCF** Flange for female connection

\* Custom flange design and insulated flanges upon request

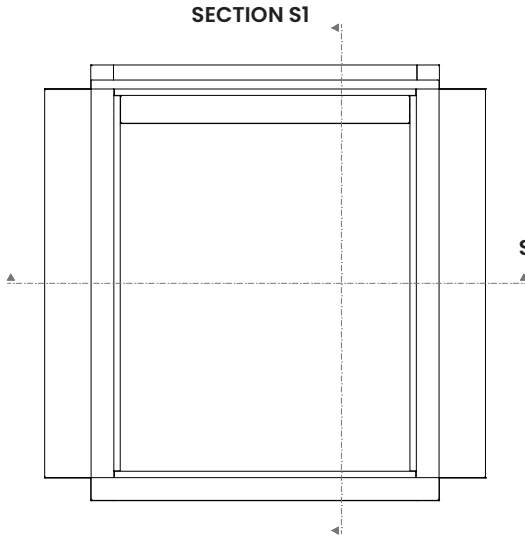


## WEIGHT

Depends on dimensions and type of infill

## OPTIONS

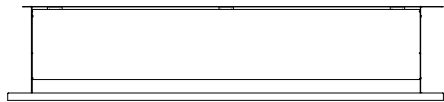
Custom dimensions / Powder-coated design (any RAL colour) / Bird or insect mesh / insulated version / Hidden control system



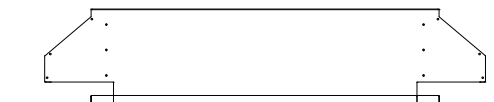
TOP VIEW



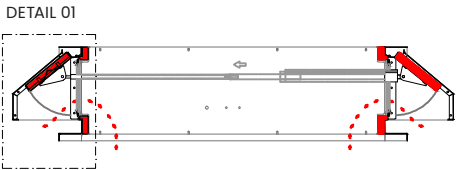
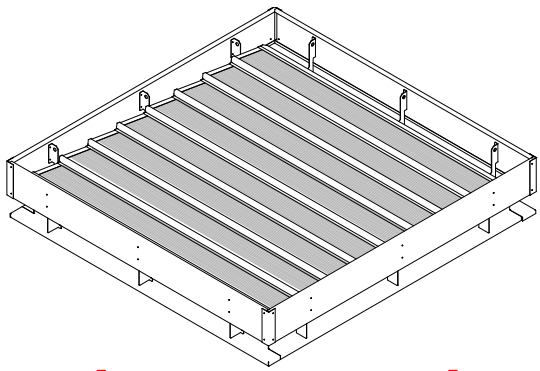
SECTION S1 CLOSED



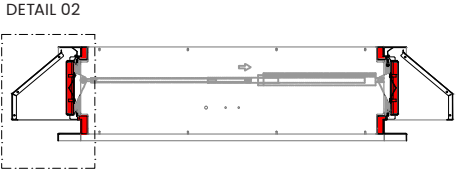
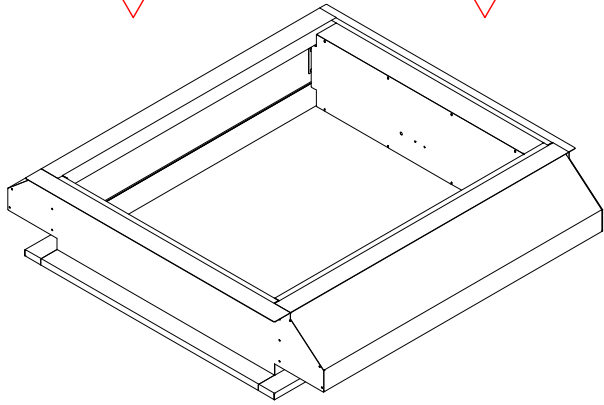
SIDE VIEW



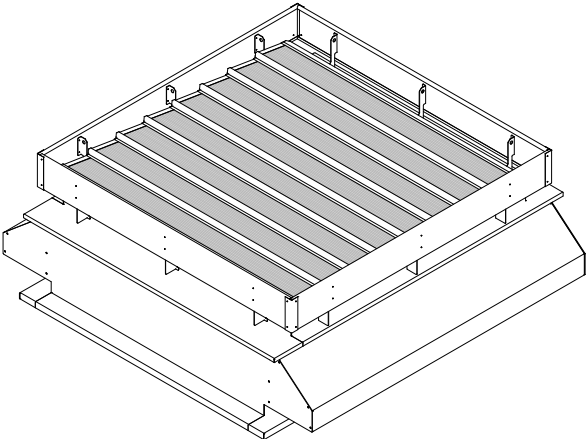
FRONT VIEW



SECTION S2 OPEN



SECTION S2 CLOSED



APPLICATION EXAMPLE: VENTRA OVER A KALON